



### **HDPE Cable Spacer (High Density Polyethylene Cable Spacer)**

WINNING® HDPE Cable Spacers are produced of a proprietary track-resistant high density polyethylene. They are designed for use on overhead electrical distribution system, both compacted and conventional aerial networks, from 15kV up to 35kV. Three-phase HDPE Cable Spacers support, separate and clamp the conductors in a triangular configuration.

WINNING® is currently producing and exporting (Three-Phase and Four-Phase) 15kV and 25kV HDPE Cable Spacers, but is also able to design and produce Single Phase Cable Spacers upon your request!

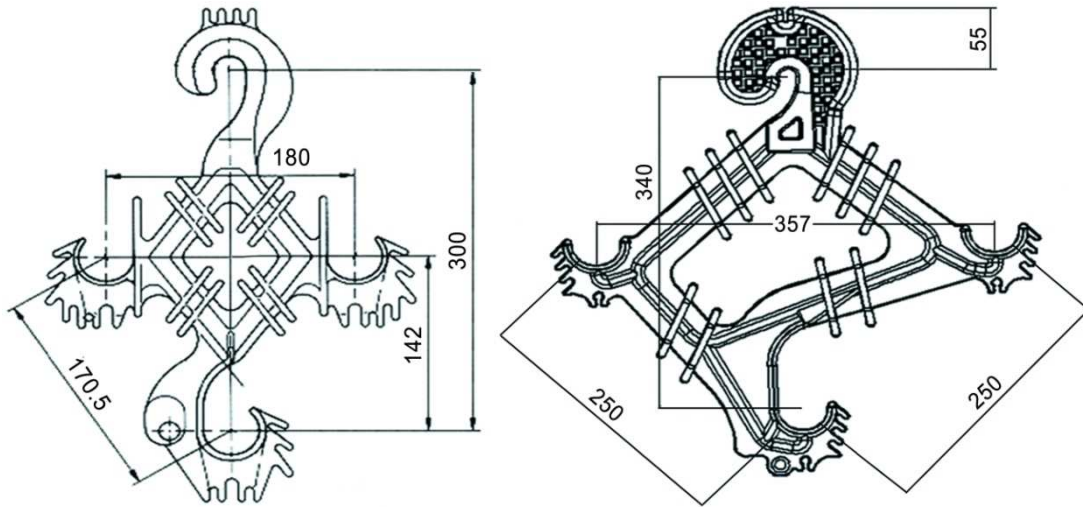
### **Benefits of using HDPE Cable Spacers**

1. Lighter Weight; Excellent Hydrophobicity.
2. Easy Installation, Transportation and Storage.
3. Economic, Low Maintenance, Long Life Span.
4. High Resistance to Shock, Impact, Fire.
5. Long Leakage Distance to Resist Flashover.
6. Can be installed with other hot line tools; and other benefits.





**Drawing / Specifications – HDPE Cable Spacers**



Cat. No.	Rated Voltage kV	Ultimate Strength (N)	Low Freq. Withstand Voltage; kV		Low Freq. Flashover Voltage; kV		Critical Impulse Flashover Voltage; kV		Weight kg
			Dry	Wet	Dry	Wet	Pos.	Neg.	
WCP-15/25	15/25	4500	50	35	70	50	95	110	0.75
WCP-33	33	8000	70	50	90	65	130	150	1.15

**Application – HDPE Cable Spacer with Snap Tie**

